

2009 BMW X5
Sports Activity
Vehicle®



The Ultimate
Driving Machine®

X5 xDrive30i
X5 xDrive35d
X5 xDrive48i





The 2009 BMW X5.
Capable of everything. Except standing still.

The 2009 BMW X5.
This second generation is second to none.





Whether it's through trees or traffic,
the X5's performance is confident and composed.



Designed for those who need their space.



Command central for road-dominating performance.

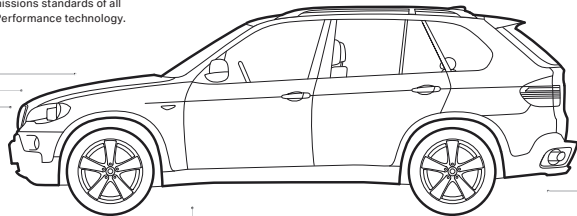


This is how much has gone in.

At BMW, we create dynamic vehicles that thrill you with quick acceleration, predictable handling and unshakable control. We are also busy finding ways to sustain this level of performance while incorporating innovative fuels and technologies to help preserve the environment. This is what we refer to as "EfficientDynamics." This goal has led to the visionary CleanEnergy hydrogen-powered engine, which is currently used in the BMW Hydrogen 7 Sedan. BMW Advanced Diesel with BluePerformance, which offers diesel power with quick acceleration, increased fuel efficiency and reduced emissions, is being introduced to the U.S. in select models in 2009, including the X5 xDrive35d. In fact, every BMW on the road today comes standard with technology that boosts performance while simultaneously reducing fuel consumption and CO₂ emissions.

Advanced Diesel with BluePerformance

The X5 xDrive35d benefits from the massive power and extraordinary efficiency of BMW's Advanced Diesel engine, while meeting the emissions standards of all 50 states, thanks to its BluePerformance technology.



Valvetronic

Instead of using a traditional throttle, Valvetronic technology in the X5 xDrive30i and X5 xDrive48i lets the engine breathe more easily by varying the lift height of the valves to regulate air intake. The result: improved cold starts, smoother running, and a significant drop in fuel consumption. Using revolutionary technology such as this, BMW has improved its overall average fuel economy more than any other manufacturer.

Double-VANOS

VANOS is BMW's valve timing system that can "steplessly" vary the points in the combustion cycle when valves open and close. Double-VANOS refers to the fact that it operates on both the intake and exhaust camshafts. Electronically controlled in response to engine speed, load and temperature, VANOS reduces emissions, and enhances low- to medium-speed torque, as well as fuel efficiency.

Efficient automatic transmission

A highly efficient 6-speed STEPTRONIC automatic transmission with Adaptive Transmission Control and Sport mode enhances performance, comfort and fuel efficiency.

Aerodynamics

The more smoothly that air flows over a vehicle, the more efficiently it can operate. All BMWs are designed for a low coefficient of aerodynamic drag, which translates into quicker acceleration, more stable handling, quieter operation and greater fuel efficiency. A BMW's integrated front spoilers reduce the amount of air flowing underneath, minimizing front-end lift. This allows a BMW to hug the road at higher speeds for excellent stability.

And this is what comes out.

Thanks to innovative features of EfficientDynamics, BMW has been able to significantly reduce CO₂ emissions in many models. But that's just for starters. We're carrying on our research with EfficientDynamics – in the quest to bring you more driving pleasure and less emissions.

■ Standard

□ Optional



■ **Xenon Adaptive Headlights** optimize road illumination when the X5 enters a curve or bend, helping to enhance visibility when driving at night. Sensors continuously monitor the angle of the steering wheel to determine the direction in which the X5 is heading. The outer headlights swivel accordingly, up to 15 degrees left or right.

Xenon low- and high-beam headlights illuminate the road ahead and to the side with brilliant clarity. An auto-leveling feature adjusts for varying passenger and cargo loads. The **Corona headlight-rings** that circle both headlights and high beams also act separately as Daytime Running Lights and parking lights.

■ Standard

□ Optional



□ **Running boards**, designed to add to the X5's overall visual appeal, make it easy for passengers to enter and exit the X5 with comfort.



■ **Halogen free-form foglights** are cleanly integrated into the front air dam, illuminating the road ahead in bad weather and poor visibility. They also provide another practical feature, **Cornering Lighting**. When the system senses you are making a turn – based on your steering angle and speed – a reflector mechanism in the foglight housing casts additional lighting up to 90 degrees in the direction of the turn. This enhances visibility and recognition of people and objects.



■ **Roof rails**, cleanly integrated with the X5's design, provide the foundation for BMW's (accessory) modular roof rack system.



□ **Automatic Tailgate** opens and closes at a touch of a button on the center console, on the remote control, or on the tailgate itself. The height the tailgate automatically opens can be adjusted through the iDrive Controller. (included in optional Premium Package in all models)

■ Standard

□ Optional



■ **18 x 8.5 Star Spoke (Style 210)** light alloy wheels and **255/55 run-flat all-season tires** are standard on the X5 xDrive30i and X5 xDrive35d.



■ **18 x 8.5 Star Spoke (Style 209)** light alloy wheels and **255/55 run-flat all-season tires** are standard on the X5 xDrive48i.



□ **19 x 9.0 Star Spoke (Style 212)** light alloy wheels and **255/50 run-flat all-season tires** (included in optional X5 xDrive30i and X5 xDrive35d Sport Package)



□ **19 x 9.0 Y Spoke (Style 211)** light alloy wheels and **255/50 run-flat all-season tires** (included in optional X5 xDrive48i Sport Package)



□ **20 x 10.0 front/20 x 11.0 rear Y Spoke (Style 214)** light alloy wheels and **275/40 front and 315/35 rear run-flat performance tires**¹ are available as an option when ordering the optional X5 xDrive48i Sport Package. (not available on X5 xDrive30i and X5 xDrive35d)

¹ Due to low-profile tires, please note: wheels, tires and suspension parts are more susceptible to road hazard and consequential damages. Performance tires not recommended for driving in ice and snow conditions.

■ Standard

□ Optional



■ A three-spoke power tilt/telescopic **leather-wrapped multi-function steering wheel** lets you keep both hands on the wheel while adjusting audio settings, cruise control and the **Bluetooth** compatible phone.



■ **Dynamic Cruise Control** lets you store and keep to a chosen speed above 20 mph, and automatically applies the brakes downhill. It is activated via the left-hand steering column switch, and deactivated by applying the brakes or via the switch.²

²Cruise control is not a substitute for the driver's own responsibility in adjusting speed and otherwise controlling the vehicle. Due to road, traffic and visibility conditions, the driver must decide whether and how the system is used.



■ Extra-large dual-glass-panel **Panoramic moonroof** lets the sun and stars shine in, whether it is open or closed. Easy-use features include a power slide and lift control, a comfort opening/closing function, a wind deflector to help keep the wind out, and a power sunshade to shield passengers from excessive glare and heat.

■ Standard

□ Optional



□ **Park Distance Control** uses eight sensors – four in the front, four in the rear – to help you judge how close you are to other cars and unseen objects when parking. The warning beeps come faster as the bumper approaches the object, turning into a constant tone when the distance is less than 12 inches. (optional and included in the Technology Package)



■ **Auxiliary input port** lets you connect an external audio source, such as an iPod® or MP3 player.

□ **iPod and USB adaptor** lets you scroll through and select the music you want by using the car's radio controls, the multi-function steering wheel buttons or iDrive Controller. Music titles are displayed on the radio or Navigation screen. (included in optional X5 xDrive48i Premium Sound Package; optional in X5 xDrive30i and xDrive35d)



□ **Rear-seat entertainment** system lets passengers in the rear cabin watch DVDs or listen to their choice of CDs through headphone jacks. The system features a fold-down 8-inch color screen and headphone jacks; it can be controlled via a wireless remote control or manually by the rear-seat passengers.

■ Standard

□ Optional



□ **Navigation system 8.8" monitor** uses transreflective technology to greatly reduce sun glare. As a result, you enjoy vivid colors and easy-to-read type, whether in bright daylight or poor light conditions. The monitor is ergonomically positioned for minimum visual distraction while driving. In many large cities, the Navigation system can display and describe the Real Time Traffic Information around your BMW. If congestion is on your planned route, the system can often plan a detour around it. (Optional Navigation system is also included in Technology Package.)

Screen shown above is European version. U.S. screens may appear different.

Active Ventilated Seat Package¹

For the ultimate in driver and front-passenger comfort, BMW offers the Active Ventilated Seat Package. Highly supportive 20-way power multi-contour front seats are upholstered in perforated leather upholstery. The internal sections of the seats contain multiple fans that provide forced ventilation through a permeable, “sandwich” seat layer. In cooler weather, temperature-adjustable air flows through the seat and seatback, providing welcome warmth. In warmer weather, air circulates through the seat, dissipating perspiration. Combining multi-contour support, ventilation, and, in the driver’s seat, the Active function, BMW’s Active Ventilated Seat Package adds to the pleasure of travel in the X5.

¹ Requires Nevada Leather/Perforated, and must be ordered with Cold Weather Package or optional heated front seats.



Active driver's seat helps decrease stiffness or fatigue on long trips. When activated, the driver's seat surface is continuously and imperceptibly raised and lowered from side to side, keeping your spine in motion and exercising various support muscles.



20-way power multi-contour front seats² conform to your body to provide optimum support and exceptional comfort over long distances.

In addition to horizontal, vertical and angled adjustments, multi-contour seats include an articulated upper backrest, backrest width, Comfort headrest (two-way power, two-way manual “relax headrest”), and four-way power-adjustable lumbar support. Both driver's and front-passenger's seats include memory function. (Optional and included in Active Ventilated Seat Package.)

² Not available with Leatherette upholstery.

Shown with Nevada Leather/Perforated upholstery.

Cold Weather Package

Whether it's driving to the slopes, or just driving errands around town, there's nothing like the feeling of heated front seats on a cold morning. Add the pleasure of a heated steering wheel on those blustery days, and you are truly ready for whatever nature has in store. High-intensity, retractable headlight washers help maintain optimal visibility in all weather and driving conditions, and the ski bag is a must for protecting skis, poles and other long objects.



High-intensity, retractable headlight washers help keep lights clean of ice, mud, road salt and other coatings, for maximum road lighting and enhanced driving visibility.



Heated steering wheel is a feature that, like heated seats, becomes a “must-have” once it's experienced. The heating switch is conveniently located on the multi-function steering wheel.



Heated rear seats are a welcome feature for left and right rear-seat occupants in cooler weather. With the touch of a button, passengers can individually select their preferred level of warmth. (Must be ordered with Cold Weather Package or optional heated front seats; not available with Leatherette upholstery.)



Heated front seats are a welcome feature in cooler weather. With the touch of a button, driver and front passenger can individually select from three heat settings.



Ski bag allows for clean transport of up to four pairs of skis with up to four occupants in the vehicle. Whenever the ski bag is not in use, it remains stored conveniently and discreetly behind the rear center armrest.

Technology Package

Enjoy the full benefits of today's automotive technology. Use Voice Activation to command the Navigation system to direct you anywhere in the U.S., then view the directions on the 8.8" color display – or listen as it directs you verbally. The system also provides Real Time Traffic Information to warn you of possible traffic congestion ahead, and can even offer optional routes to avoid the back-ups. Backing up is equally easy, thanks to Park Distance Control. And maneuvering into tight parking spaces is now a breeze, thanks to the rear-view camera that not only provides a wide-angle color image of what's behind your rear bumper, but also offers tracking guidance when backing up.



Rear-view camera is activated automatically by shifting into reverse gear, or manually by pressing the parking-assist button. The color display shows a real camera image that may include “static” and “track” lines to help you when backing up or parallel parking. The camera also has zoom functions, and a “docking line” that helps guide your approach to the towing hitch of a trailer.



Navigation screen linked with the Navigation system renders clear images and text. The surface of this new-generation display is equipped with transreflective technology – ensuring legibility by automatically making adjustments to the brightness or back ground lighting in bright- or poor-light conditions.

Screen shown above is European version. U.S. screens may appear different.



Park Distance Control, front and rear, makes parking and maneuvering in tight spaces easy. The sensors emit a beeping sound as they approach another vehicle or object. The signal increases in intensity the closer your bumper gets to the object.



Voice Activation lets you verbally control numerous Navigation system functions, and dial phone numbers hands-free. The Voice Activation button must be pressed before each use, so conversations won't accidentally activate the phone or other systems.

Premium Sound Package

Whatever your preference in music, you can enjoy the extraordinary listening experience of the Premium high-fidelity audio system and six-disc DVD changer. An equalizing method used in professional studio applications has been fitted into the X5, and the integration of 16 speakers with elaborate signal processing leads to optimal sound reproduction at all seating locations.



Premium high-fidelity system is a multi-channel system that outputs reproduction of the surround information contained in the stereo signal in a nine-channel format (seven mid and high range channels and two central bass channels) as well as 5.1 surround-sound from a DVD source. The 16-speaker system is comprised of one subwoofer below each front seat; and one mid-range and one high-range speaker each in the doors, D-pillars and instrument panel (center channel). A digital amplifier with nine channels and 600 watts (7x50 + 2x125) is also included. All speakers are fitted with very strong, yet compact Neodymium drives. The system also compensates for driving noise in smooth steps with speed-dependent equalizing.

Multi-media changer is located in the glovebox. The single-feed changer accommodates six discs. The readily accessible unit supports multi-channel sources as well as compressed audio formats (MP3, WMA, etc.). When equipped with the Navigation system, the unit can play video on the iDrive screen when the vehicle is in Park.



iPod and USB adaptor lets you scroll through and select the music you want by using the car's radio controls, the multi-function steering wheel buttons or iDrive Controller. Music titles are displayed on the radio or Navigation screen. (included in optional X5 xDrive48i Premium Sound Package; optional in X5 xDrive30i and xDrive35d)

Premium Package

The X5 Premium Package is filled with comfort and convenience features that will enhance your driving experience every day, such as an automatic-lifting tailgate; a storage package that includes floor tracks; a digital compass that helps keep you on track to your driving destination; and automatic-dimming rear- and side-view mirrors that cut headlight glare. Enjoy the added seating comfort of lumbar support; the convenience of a Universal garage-door opener; and the peace of mind of BMW Assist™ with Bluetooth® wireless communication system. In the X5 xDrive30i and X5 xDrive35d, you'll appreciate the luxury of Nevada Leather¹ or no-cost optional Nevada Leather/Perforated upholstery.²

¹ Standard in the X5 xDrive48i.

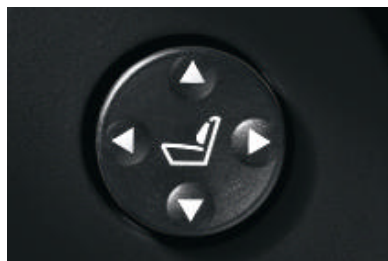
² Requires optional Active Ventilated Seat Package.



Nevada Leather upholstery, available in a choice of four colors, cradles driver and passengers in soft gathered comfort. Durable and easy to maintain, Nevada Leather adds elegance and refinement.



Automatic tailgate can be opened using the remote. When closed, via a button in the tailgate handle, the cargo area cover also automatically lowers. Maximum opening height can be programmed through iDrive. (Caution: measure height of garage ceiling before setting maximum opening height.)



Lumbar support for front seats adds four-way power-adjustable comfort for the lower back. Lumbar support can be adjusted up/down and in/out.



BMW Assist™ and **Bluetooth®** system offers hands-free calling through your BMW-approved **Bluetooth** phone. The BMW Assist Safety Plan includes Automatic Collision Notification, Emergency Request, Enhanced Roadside Assistance, Remote Door Unlock, TeleService and more. Also available is an optional Convenience Plan with Directions, Weather, Critical Calling and Concierge services.



The **automatic-dimming inside rear-view mirror** darkens in response to the bright headlights of vehicles behind you. An easy-to-read **digital compass**, integrated into the mirror, is a convenient way to constantly keep your bearings while driving. A **three-button Universal garage-door opener** can be programmed to open garage doors and activate various remote convenience functions.

Rear Climate Package

Let your rear-seat passengers create their own oasis of comfort. The Rear Climate Package offers four-zone climate control, with individual settings for the driver and front passenger, as well as left and right rear-seat passengers. Each can customize the temperature and airflow rate to their own preferences. Privacy glass and manual rear side sunshades reduce the heat and glare of the sun, helping to keep the cabin cool and glare-free while increasing passenger privacy.



Privacy glass in the rear and rear side windows enhances passenger privacy, while it reduces sun glare and interior heat.



Four-zone climate control lets front- and rear-seat occupants select their own temperature and fan settings.



Rear side sunshades keep the sun's heat and glare away from the rear cabin while maintaining your privacy. When not in use, these manually adjustable sunshades conveniently disappear into the side doors.

Sport Package

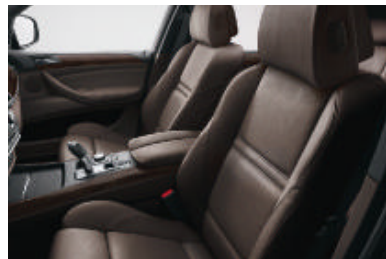
The X5 SAV[®] was made for sporty driving. Make the most of its fun-loving capabilities by adding the optional Sport Package. The 19" light alloy wheels with run-flat all-season tires are an impressive sight. To enhance driving performance, Adaptive Drive with Active Roll Stabilization and Electronic Damping Control augments the already stiff suspension to provide more precise and agile handling. Front sport seats hold you tight as you navigate turns, gripping the three-spoke, leather-wrapped sport steering wheel. An Anthracite headliner completes the interior sport décor. And optional Y Spoke (Style 214) 20 x 10.0 front and 20 x 11.0 rear light alloy wheels with 275/40 front and 315/35 rear run-flat performance tires¹ are available on the X5 xDrive48i.

¹ Due to low-profile tires, please note: wheels, tires and suspension parts are more susceptible to road hazard and consequential damages. Performance tires not recommended for driving in ice and snow conditions.



Three-spoke leather-wrapped multi-function sport steering wheel, featuring power tilt/telescoping adjustments, lets you keep both hands on the wheel while adjusting controls for cruise, audio and **Bluetooth**[®] enabled mobile phones.²

² **Bluetooth** wireless technology available as a stand-alone option; included in optional Premium Package.



10-way power front sport seats with two-way manual thigh support adjustment and driver's seat memory system make the X5 driving experience more enjoyable. Side bolsters on the seats cradle you comfortably over long distances, while holding you firmly in place during sporty driving maneuvers.

Shown with Tobacco Nevada Leather upholstery.



Anthracite headliner adds a more distinctive and sporty look to the X5 interior.



19 x 9.0 Star Spoke (Style 212) light alloy wheels and 255/50 **run-flat all-season tires** are included in the X5 xDrive30i and X5 xDrive35d Sport Package.



19 x 9.0 Y Spoke (Style 211) light alloy wheels and 255/50 **run-flat all-season tires** are included in the X5 xDrive48i Sport Package.



20 x 10.0 front/20 x 11.0 rear Y Spoke (Style 214) light alloy wheels and 275/40 front and 315/35 rear **run-flat performance tires**³ are available as an option when ordering the X5 xDrive48i Sport Package.

³ Due to low-profile tires, please note: wheels, tires and suspension parts are more susceptible to road hazard and consequential damages. Performance tires not recommended for driving in ice and snow conditions.



Shadowline trim replaces the front and rear side-window chrome frames and door-sill trim strips with the more rugged, sporting look of a black high-gloss finish.

Performance and efficiency	X5 xDrive30i	X5 xDrive35d ¹	X5 xDrive48i
3.0-liter, 260-horsepower, 24-valve inline 6-cylinder dual overhead cam (DOHC) engine with composite magnesium/aluminum engine block, Valvetronic, and Double-VANOS steplessly variable valve timing	●		
3.0-liter, 265-horsepower, 24-valve inline 6-cylinder dual overhead cam (DOHC) Advanced Diesel twin-turbocharged engine with aluminum engine block and third-generation piezo common rail direct injection		●	
4.8-liter, 350-hp 32-valve V-8 engine, 4 overhead camshafts, Valvetronic, and Double-VANOS 2-step variable intake manifold			●
6-speed electronically controlled automatic transmission with Adaptive Transmission Control and STEPTRONIC gear selection, including Sport mode	●	●	●

Handling, ride and braking	X5 xDrive30i	X5 xDrive35d ¹	X5 xDrive48i
xDrive all-wheel-drive system	●	●	●
Dynamic Stability Control (DSC), including Brake Fade Compensation, Start-off Assistant, Brake Drying, and Brake Stand-by features, with Dynamic Traction Control (DTC), and Dynamic Brake Control	●	●	●
Hill Descent Control (HDC)	●	●	●
Double wishbone front suspension	●	●	●
Lightweight multi-link integral rear suspension	●	●	●
Engine-speed-sensitive power steering	●	●	●
4-wheel anti-lock ventilated disc brakes; electronic front/rear proportioning	●	●	●
Active Steering with Servotronic power assist	○		○
Adaptive Drive: includes Active Roll Stabilization and Electronic Damping Control	□	□	□

Instrumentation and controls	X5 xDrive30i	X5 xDrive35d ¹	X5 xDrive48i
Dynamic Cruise Control	●	●	●
Service Interval Indicator and Check Control vehicle monitor	●	●	●
Electronic analog instrumentation with LED illumination	●	●	●
Outside-temperature display	●	●	●
iDrive system with on-board computer and Controller, and 6 programmable memory buttons	●	●	●
DVD-based Navigation system with Voice Activation and Real Time Traffic Information	○/■	○/■	○/■
Time-delay courtesy lights with actuation from driver's exterior door handle or remote control; automatic switch-on when engine is turned off	●	●	●
Head-up Display (HUD) ²	○	○	○
Rear-view camera	■	■	■
Rear-window defroster	●	●	●
BMW Universal garage-door opener	◇	◇	◇
Tire Pressure Monitor	●	●	●

- Standard
- Optional
- Included in Sport Package
- Included in Technology Package
- ◇ Included in Premium Package
- ★ Included in Cold Weather Package
- △ Included in Premium Sound Package

¹ Delayed availability.

² Optional Navigation system or Technology Package required.

³ Due to low-profile tires, please note: wheels, tires, and suspension parts are more susceptible to road hazard and consequential damage. Performance tires not recommended for driving in snow and ice conditions.

⁴ Requires Sport Package.

⁵ For additional information, please visit your authorized BMW SAV® center.

Exterior	X5 xDrive30i	X5 xDrive35d ¹	X5 xDrive48i
18 x 8.5 Star Spoke (Style 210) light alloy wheels, and 255/55 run-flat all-season tires	●	●	
18 x 8.5 Star Spoke (Style 209) light alloy wheels, and 255/55 run-flat all-season tires			●
19 x 9.0 Star Spoke (Style 212) light alloy wheels, and 255/50 run-flat all-season tires	□	□	
19 x 9.0 Y Spoke (Style 211) light alloy wheels, and 255/50 run-flat all-season tires			□
20 x 10.0 front / 20 x 11.0 rear Y Spoke (Style 214) light alloy wheels, and 275/40 front, 315/35 rear run-flat performance tires ^{3,4}			○
Xenon Adaptive Headlights with auto-leveling and Corona headlight-rings	●	●	●
Halogen free-form foglights with Cornering Lights function	●	●	●
High-intensity, retractable headlight washers	★	★	★
Dual power outside mirrors	●	●	●
Intermittent rain-sensing windshield wipers with adjustable and vehicle-speed-sensitive wiping interval, single-wipe control, windshield-washer system with heated washer jets	●	●	●
Rear-window wiper/washer with adjustable wiping interval	●	●	●
Roof rails (accommodate various BMW roof carrier systems)	●	●	●
Chrome exhaust tips	●	●	●
Shadowline trim	□	□	□
Metallic paint	●	●	●
Body-color exterior door and tailgate handles	●	●	●
Running boards	○	○	○

Audio system	X5 xDrive30i	X5 xDrive35d ¹	X5 xDrive48i
Anti-theft AM/FM stereo CD radio with Radio Data System (RDS), MP3 capabilities, and 3-channel FM diversity antenna system	●	●	●
High-fidelity 10-speaker sound system includes 2 subwoofers under the front seats and digital 7-channel amplifier with 205 watts of power			●
Premium high-fidelity 16-speaker sound system with Digital Sound Processing (DSP), 2 subwoofers under the front seats and digital 9-channel amplifier with 600 watts of power	△	△	△
6-disc DVD changer with MP3 capabilities	△	△	△
SIRIUS Satellite Radio with one-year subscription ⁵	○	○	○
Rear-seat entertainment	○	○	○
HD Radio™ with "multicast" FM station reception	○	○	○
iPod® and USB adaptor (includes cable connector)	○	○	△

Interior	X5 xDrive30i	X5 xDrive35d ⁶	X5 xDrive48i
10-way power-adjustable driver's and passenger's seat and memory system for driver's seat, steering wheel and outside mirrors	●	●	●
10-way power-adjustable front sport seats with 2-way manual thigh support adjustment, and memory system for driver's seat, steering wheel and outside mirrors	□	□	□
20-way power multi-contour front seats ⁷ – include standard 10-way power seat functions, plus additional power adjustment functions for shoulder and thigh support, backrest width and lumbar support (contour and position), plus 2-way manual lateral adjustment for Comfort headrest	○/◆	○/◆	○/◆
3-stage heated front seats	○/★	○/★	○/★
2-stage heated rear seats ⁸	★	★	★
Front-seat center console with armrest, storage compartment, and auxiliary input	●	●	●
Rear-seat center armrest	●	●	●
Active seat for driver	◆	◆	◆
Front ventilated seats (requires Perforated Nevada Leather)	◆	◆	◆
Split folding rear seats	●	●	●
3rd-row rear seat ⁹	○ ¹⁰	○ ¹⁰	○
Leatherette upholstery ¹¹	●	●	●
Nevada Leather upholstery	○/◇	○/◇	●
Perforated Nevada Leather upholstery ¹²	○/◇	○/◇	○ ¹³
Nappa Leather upholstery, including leather-wrapped dashboard ¹⁴	○	○	○
Dark Burl Walnut Wood interior trim	●	●	●
Light Poplar Wood interior trim ¹³	○	○	○
Dark Bamboo Wood interior trim ¹³	○	○	○
Power tilt/telescopic leather-wrapped multi-function steering wheel	●	●	●
Power tilt/telescopic leather-wrapped multi-function sport steering wheel	□	□	□
Anthracite headliner	□	□	□
Fully finished cargo area with velour carpeting	●	●	●
Retractable cargo cover	●	●	●

- Standard
- Optional
- Included in Sport Package
- ◇ Included in Premium Package
- ◆ Included in Active Ventilated Seat Package (must be ordered with optional Nevada Leather/Perforated)
- ★ Included in Cold Weather Package
- Included in Technology Package
- ▲ Included in Rear Climate Package

⁶ Delayed availability.

⁷ Not available in Leatherette.

⁸ Must be ordered with Cold Weather Package or heated front seats; not available with Leatherette.

⁹ Please note: In Nappa Leather interiors, optional 3rd-row seats are upholstered in Nappa Leather.

In all other interiors, optional 3rd-row seats are upholstered in Leatherette.

¹⁰ Not available with Leatherette; must be ordered with optional leather upholstery or Premium Package.

¹¹ Not available with Sport Package, Active Ventilated Seat Package, optional 20-way

multi-contour seats, or optional heated rear seats.

¹² Must be ordered with Active Ventilated Seat Package.

¹³ No-cost option.

¹⁴ Must be ordered with either the optional Sport Package, optional multi-contour seats, or optional Ventilated Seat Package.

¹⁵ Please contact your authorized BMW SAV® center for a list of BMW-approved

Bluetooth® technology enabled mobile phones.

Comfort and convenience	X5 xDrive30i	X5 xDrive35d ⁶	X5 xDrive48i
Vehicle & Key Memory	●	●	●
Panoramic moonroof with 2-piece glass panel, power slide and lift control, wind deflector and electric interior sunshade	●	●	●
Power windows with key-off operation; "one-touch" opening and closing of all door windows, anti-trapping feature	●	●	●
Automatic front climate control with separate left/right temperature settings, automatic air conditioning and recirculation control	●	●	●
4-zone climate control with 4 individual temperature settings	▲	▲	▲
Active-charcoal micro-filter ventilation	●	●	●
Heated steering wheel	★	★	★
Comfort Access keyless entry	○	○	○
Automatic Tailgate with opening/closing feature	◇	◇	◇
Park Distance Control (front and rear)	○/■	○/■	○/■
Dual cupholders front and rear	●	●	●
Dual front sun visors with illuminated mirrors	●	●	●
Floor tracks in rear cargo area	◇	◇	◇
Automatic tilt-down of right outside mirror for visibility of curb when backing up	●	●	●
Automatic-dimming rear-view mirror with digital-readout compass and automatic-dimming, power-folding side-view mirrors	◇	◇	◇
Privacy glass in rear windows	▲	▲	▲
Rear manual side-window sunshades	▲	▲	▲
Ski bag	★	★	★
Pre-wiring for trailer hitch	●	●	●

Safety and security	X5 xDrive30i	X5 xDrive35d ⁶	X5 xDrive48i
Driver's and passenger's front airbag supplemental restraint system (SRS) with advanced technology: dual-threshold, dual-stage deployment; and front-passenger seat sensors designed to prevent unnecessary airbag deployment	●	●	●
3-point safety belts and head restraints at all seating positions	●	●	●
Front safety belts with automatic pretensioners	●	●	●
Active Head Restraints in front seats	●	●	●
Front- and rear-compartment Head Protection System (HPS) with front side-impact airbags	●	●	●
Roll-over sensor that triggers airbags and safety-belt pretensioners in the event of a roll-over	●	●	●
Steering column telescopic system	●	●	●
Adaptive Brake Lights	●	●	●
Battery Safety Terminal	●	●	●
Central locking system and Coded Driveway Protection	●	●	●
Alarm system with keyhead remote operation interior motion detector	●	●	●
BMW Assist™ with Bluetooth® wireless technology for hands-free calling (with Bluetooth enabled mobile phone ¹⁵), with phonebook downloading and speech recognition capabilities	○/◇	○/◇	○/◇

BMW Services	X5 xDrive30i	X5 xDrive35d ⁶	X5 xDrive48i
BMW Ultimate Service™	●	●	●

Active Ventilated Seat Package¹	X5 xDrive30i	X5 xDrive35d²	X5 xDrive48i
20-way power multi-contour front seats ³ – include standard 10-way power seat functions, plus additional power adjustment functions for shoulder and thigh support, backrest width and lumbar support (contour and position), plus 2-way manual adjustment for Comfort headrest	○/◆	○/◆	○/◆
Active seat for driver	◆	◆	◆
Front ventilated seats (requires Perforated Nevada Leather)	◆	◆	◆

Cold Weather Package			
3-stage heated front seats	○/★	○/★	○/★
2-stage heated rear seats	★	★	★
Heated steering wheel	★	★	★
High-intensity, retractable headlight washers	★	★	★
Ski bag	★	★	★

Technology Package			
DVD-based Navigation system with Voice Activation and Real Time Traffic Information	○/■	○/■	○/■
Park Distance Control (front and rear)	○/■	○/■	○/■
Rear-view camera	■	■	■

Premium Sound Package			
Premium high-fidelity 16-speaker sound system with Digital Sound Processing (DSP), 2 subwoofers under the front seats and digital 9-channel amplifier with 600 watts of power	△	△	△
6-disc DVD changer with MP3 capabilities	△	△	△
iPod® and USB adaptor (includes cable connector)	○	○	△

Premium Package			
Nevada Leather upholstery	○/◇	○/◇	●
Perforated Nevada Leather upholstery ⁴	○/◇ ⁵	○/◇ ⁵	○ ⁶
Lumbar support	◇	◇	◇
Automatic-dimming rear-view mirror with digital-readout compass and automatic-dimming, power-folding side-view mirrors	◇	◇	◇
BMW Universal garage-door opener	◇	◇	◇
Storage package, including floor tracks in rear cargo area	◇	◇	◇
BMW Assist™ ⁷ with Bluetooth ® wireless technology for hands-free calling (with Bluetooth enabled mobile phone ⁸), with phonebook downloading and speech recognition capabilities	○/◇	○/◇	○/◇
Automatic tailgate with opening/closing feature	◇	◇	◇

- Standard
- Optional
- ◆ Included in Active Ventilated Seat Package¹
- ★ Included in Cold Weather Package
- Included in Technology Package
- △ Included in Premium Sound Package
- ◇ Included in Premium Package
- ▲ Included in Rear Climate Package
- Included in Sport Package

¹ Requires Perforated Nevada Leather, and must be ordered with Cold Weather Package or optional heated front seats.

² Delayed availability.

³ Not available with Leatherette upholstery.

⁴ Must be ordered with Active Ventilated Seat Package.

⁵ No-cost option if Premium Package is ordered.

⁶ No-cost option.

⁷ See page 76 for details on standard and optional services.

⁸ Please contact your authorized BMW SAV® center for a list of BMW-approved **Bluetooth**® technology enabled mobile phones.

⁹ Due to low profile tires, please note: wheels, tires, and suspension parts are more susceptible to road hazard and consequential damage. Performance tires not recommended for driving in snow and ice conditions.

¹⁰ Requires Sport Package.

¹¹ Please note: In Nappa Leather interiors, optional 3rd-row seats are upholstered in Nappa Leather. In all other interiors, optional 3rd-row seats are upholstered in Leatherette.

¹² Not available with Leatherette; must be ordered with optional leather upholstery or Premium Package.

¹³ Requires optional Navigation system or Technology Package.

¹⁴ For additional information, please visit your authorized BMW SAV center.

Rear Climate Package	X5 xDrive30i	X5 xDrive35d²	X5 xDrive48i
4-zone climate control with 4 individual temperature settings	▲	▲	▲
Privacy glass in rear windows	▲	▲	▲
Rear manual side-window sunshades	▲	▲	▲

Sport Package²			
19 x 9.0 Star Spoke (Style 212) light alloy wheels, and 255/50 run-flat all-season tires	□	□	
19 x 9.0 Y Spoke (Style 211) light alloy wheels, and 255/50 run-flat all-season tires			□
20 x 10.0 front / 20 x 11.0 rear Y Spoke (Style 214) light alloy wheels, and 275/40 front, 315/35 rear run-flat performance tires ^{9, 10}			○
10-way power front sport seats with 2-way manual thigh support adjustment, and memory system for driver's seat, steering wheel and outside mirrors	□	□	□
3-spoke power tilt/telescopic leather-wrapped multi-function sport steering wheel	□	□	□
Adaptive Drive: includes Active Roll Stabilization and Electronic Damping Control	□	□	□
Anthracite headliner	□	□	□
Shadowline trim	□	□	□

Optional equipment listing			
Active Steering with Servotronic power assist	○		○
20 x 10.0 front / 20 x 11.0 rear Y Spoke (Style 214) light alloy wheels, and 275/40R-20 front, 315/35R-20 rear run-flat performance tires ^{9, 10}			○
Comfort Access keyless entry	○	○	○
Running boards	○	○	○
20-way power multi-contour front seats ³ – include standard 10-way power seat functions, plus additional power adjustment functions for shoulder and thigh support, backrest width and lumbar support (contour and position), plus 2-way manual adjustment for Comfort headrest	○/◆	○/◆	○/◆
3-stage heated front seats	○/★	○/★	○/★
Nevada Leather upholstery	○/◇	○/◇	●
Perforated Nevada Leather upholstery ⁴	○/◇ ⁵	○/◇ ⁵	○ ⁶
Nappa Leather (must be ordered with either the optional Sport Package, optional multi-contour seats, or optional Ventilated Seat Package); includes leather-wrapped dashboard	○	○	○
Light Poplar Wood trim ⁶	○	○	○
Dark Bamboo Wood trim ⁶	○	○	○
3rd-row rear seat ¹¹	○ ¹²	○ ¹²	○
Park Distance Control (front and rear)	○/■	○/■	○/■
DVD-based Navigation system with Voice Activation and Real Time Traffic Information	○/■	○/■	○/■
Head-up Display (HUD) ¹³	○	○	○
BMW Assist ^{TM7} with Bluetooth [®] wireless technology for hands-free calling (with Bluetooth enabled mobile phone [®]), with phonebook downloading and speech recognition capabilities	○/◇	○/◇	○/◇
HD Radio TM "multicast" FM station reception	○	○	○
SIRIUS Satellite Radio with one-year subscription ¹⁴	○	○	○
Rear-seat entertainment	○	○	○
iPod [®] and USB adaptor (includes cable connector)	○	○	△

Weight		X5 xDrive30i	X5 xDrive35d¹	X5 xDrive48i
Unladen	lbs	4982	5225	5335
Weight distribution, front/rear	%	47.6/52.4	49.8/50.2	49.6/50.4

Engine				
Liter/type/valves per cylinder		3.0/inline 6/4	3.0/inline 6/4	4.8/V-8/4
Bore/stroke	inch	3.35/3.46	3.31/3.54	3.66/3.48
Nominal output/rpm	hp	260/6600	265/4200	350/6300
Maximum torque/rpm	lb-ft	225/2750	425/1750-2250	350/3400-3800
Compression ratio	:1	10.7	16.5	10.5
Fuel grade		unleaded premium gasoline	diesel	unleaded premium gasoline
Approximate tank capacity	gal	22.5	22.5	22.5

Transmission				
Automatic gear ratios I/II/III	:1	4.17/2.34/1.52	4.17/2.34/1.52	4.17/2.34/1.52
IV/V/VI	:1	1.14/0.87/0.69	1.14/0.87/0.69	1.14/0.87/0.69
Reverse gear ratio	:1	3.40	3.40	3.40
Final drive ratio	:1	4.44	3.64	3.91

Performance				
Drag coefficient	C _d	0.34	0.35	0.35
Top speed ²	mph	130	130	130 [150]
Acceleration 0-60 mph ³		7.8	6.9	6.4

Fuel consumption⁴				
City/highway	mpg	15/21	TBD/TBD	14/19

Tires and wheels				
Tire dimensions		255/55	255/55	255/55
Wheel dimensions		18x8.5	18x8.5	18x8.5
Material		light alloy	light alloy	light alloy

Figures in [] apply to vehicles with Sport Package and optional 20" wheels.

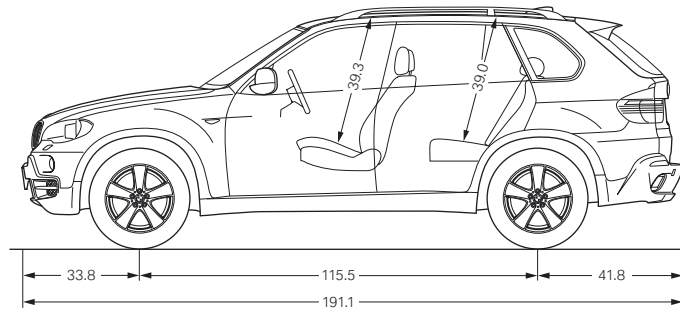
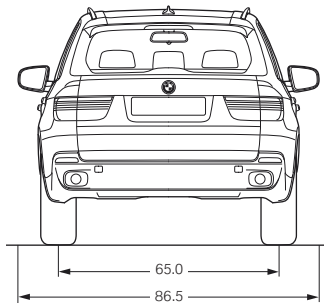
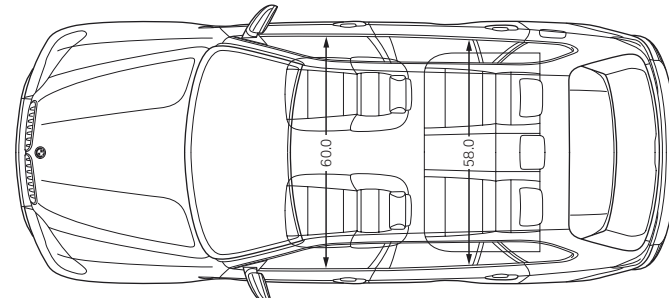
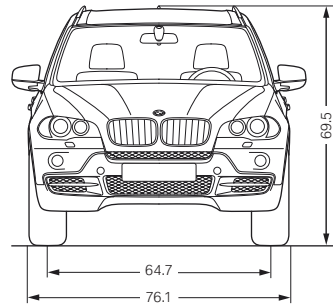
¹ Delayed availability.

² Top speed limited electronically.

³ BMW AG test results. Actual acceleration results may vary, depending on specification of vehicle; road and environmental conditions; testing procedures and driving style.

These results should be used for comparison only and verification should not be attempted on public roads. BMW urges you to obey all posted speed laws and always wear safety belts.

⁴ EPA-estimated figures are for comparison purposes only. Your actual mileage will vary, depending on speed, driving habits, trip length and driving conditions; actual mileage may be lower.



Illustrations above: all dimensions in inches.

BMW and the environment.

BMW is a strong proponent of the environment and social responsibility. It is important to manage the earth's resources responsibly, and not jeopardize the needs of future generations. That is why BMW makes vehicles that minimize adverse environmental impact, from production (pollution prevention and waste minimization at the plant) through owner use (low emissions) to eventual disposal (easy drainability of all fluid-related components and easy neutralization of all pyrotechnic devices).

This effort has been recognized worldwide and, as a result, we are pleased to have received numerous environmental honors. In the U.S., for example, the Environmental Protection Agency accepted BMW's Spartanburg, SC production and manufacturing facility as a charter member of the agency's National Environmental Performance Track. Internationally, BMW AG – the parent company of both BMW of North America and BMW Manufacturing Co., Spartanburg, SC – was the first automotive company to be represented on the Dow Jones Sustainability Group Index, and has remained on the Index ever since. At BMW, we strive for high performance in everything we do.

U.S. Importer: BMW of North America, LLC, Woodcliff Lake, NJ 07677. All illustrations and specifications contained in this brochure are based on the latest product information available at the time of printing. BMW reserves the right to make changes at any time, without notice, in colors, materials, equipment, specifications and models. BMW may, subject to legal requirements, determine the Model Year designation of its vehicles. The Model Year designation on any particular model may be longer or shorter than 12 months. Some vehicles pictured may contain non-U.S. equipment. Some models may be shown with optional equipment. While BMW NA makes all reasonable efforts to provide accurate information in this brochure, there is no guarantee or warranty of accuracy. Furthermore, we do not assume any liability for the accuracy or completeness of information presented. This brochure shall not be used or relied upon as a substitute for information that is available from your BMW center. Further information can be obtained from your authorized BMW center or bmwusa.com.

©2008 BMW of North America, LLC. Not to be reproduced wholly or in part without written permission of BMW NA. The BMW name, logo, model names, SAV and Sports Activity Vehicle are registered trademarks.

The **Bluetooth** word mark and logos are owned by the **Bluetooth SIG, Inc.** and any use of such marks by BMW is under license. iPod is a registered trademark of Apple Inc. Other trademarks and trade names are the property of their respective owners.

More about BMW

bmwusa.com
1-800-334-4BMW



The Ultimate
Driving Machine®

